

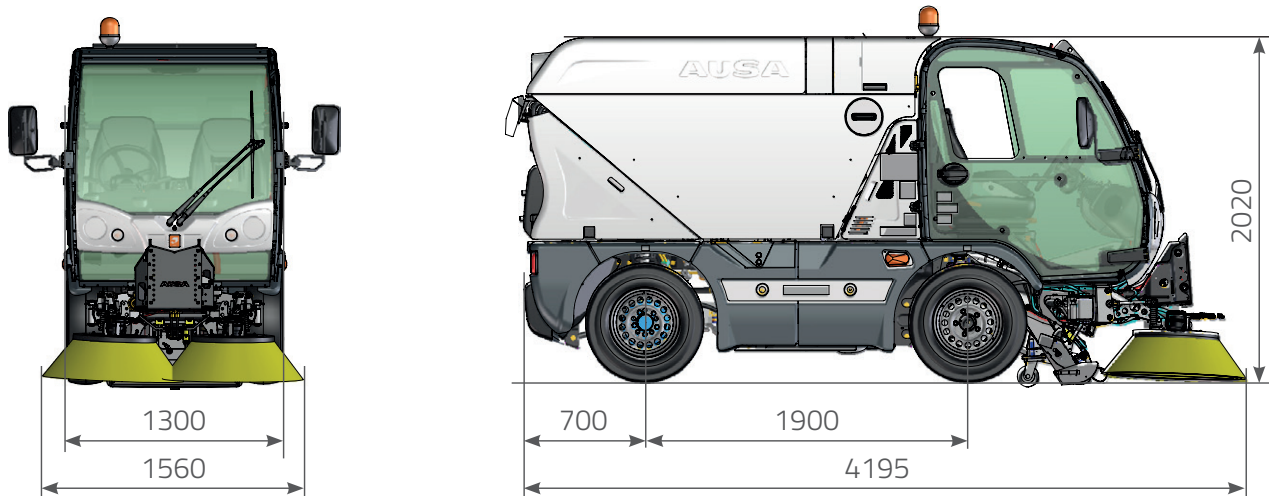


Engine evolution
Euro6c
Even less emissions

TECHNICAL DATA

GENERAL		B 200 H EURO 6 - 4x2x2	B 200 H EURO 6 - 4x2x4	B 200 H EURO 6 - 4x4x4
Maximum authorised weight	kg	5000	5000	5000
Unladen weight*	kg	3400	3500	3500
Total height	mm	2020	2020	2020
Total width (without brushes)	mm	1300	1300	1300
Total length (with brushes)	mm	4195	4195	4195
ENGINE				
Make	-	VM MOTORI	VM MOTORI	VM MOTORI
Model	-	R754 EU6	VM R754 EU6	VM R754 EU6
Power	kW	68	68	68
Torque	N-m@rpm	380@1100	380@1100	380@1100
No. cylinders	-	4	4	4
Consumption	l/h	5,3	5,3	5,3
DRIVING				
Maximum speed	km/h	40	40	40
Maximum operation speed	km/h	25	25	25
Gradeability (at full load)	%	27	37	37
External turning radius	mm	3300	2700	2700
Suspension	-	Hydraulic shock absorber	Hydraulic shock absorber	Hydraulic shock absorber
Rear suspension	-	Hydraulic shock absorber	Hydraulic shock absorber	Hydraulic shock absorber
Tyres	-	225/70 R15	225/70 R15	225/70 R15
WASTE HOPPER				
Capacity	l	2000	2000	2000
Material	-	Stainless steel	Stainless steel	Stainless steel
Tipping height	mm	1580	1580	1580
Tipping width	mm	1200	1200	1200
Turbine capacity	m ³ /h	14.000	14.000	14.000
SWEEPING SYSTEM				
No. brushes	-	2 - 3	2 - 3	2 - 3
Port and arms material	-	Stainless steel	Stainless steel	Stainless steel
Effective maximum width of sweep	mm	2500/2800	2500/2800	2500/2800
Sprinklers	-	11	11	11
4-STAR PM2.5/10	-	X	X	X
WATER TANK				
Capacity	l	300	300	300
Material	-	Rotomolding HDPE	Rotomolding HDPE	Rotomolding HDPE
Water pump flow	l/min	12,5	12,5	12,5
Water pump pressure	bar	2,5	2,5	2,5

DIMENSIONS



iLINK SYSTEM

The **iLink concept** of our B200H sweeper enables intensive use throughout the year; not only does it sweep with maximum efficiency and productivity but it can also be used as a **cold water flusher, hot water scraper** (both with a water capacity of 2,000 litres) or as a **winter maintenance unit** with its 1.1 m³ spreader and its snow brush or plough.

OPTIONAL ATTACHMENTS

iLink option

- 1,500 mm snow plough with hydraulic regulation and lateral tilt
- Snow brush sweeper, width 1,500 mm
- Aluminium cargo bed (1,840 x 1,300 x 420 mm) with trilateral hydraulic tilting
- Detachable hydraulic salt spreader
- Flusher with reinforced plastic tank. Cold water
- Flusher with reinforced plastic tank. Hot water
- Scraper head with hot water
- Simple spray bar. Cold water
- Simple spray bar. Hot water
- 2,000l water tank for cold water flushing
- 2,000l water tank for hot water scraping
- Support kit for assembly/disassembly, maintenance and storage of the sweeper tank
- Support kit for assembly/disassembly, maintenance and storage of water flushing tank
- Support kit for assembly/disassembly, maintenance and storage of cargo bed

excelway[®]



www.excelway.eu

Products are subject to modifications without prior notice. Images throughout the spec sheet may refer to non-standard machines or non-available configurations depending on models.

AUSA's logo and corporate identity are property of the Company, they cannot be used without authorization.