

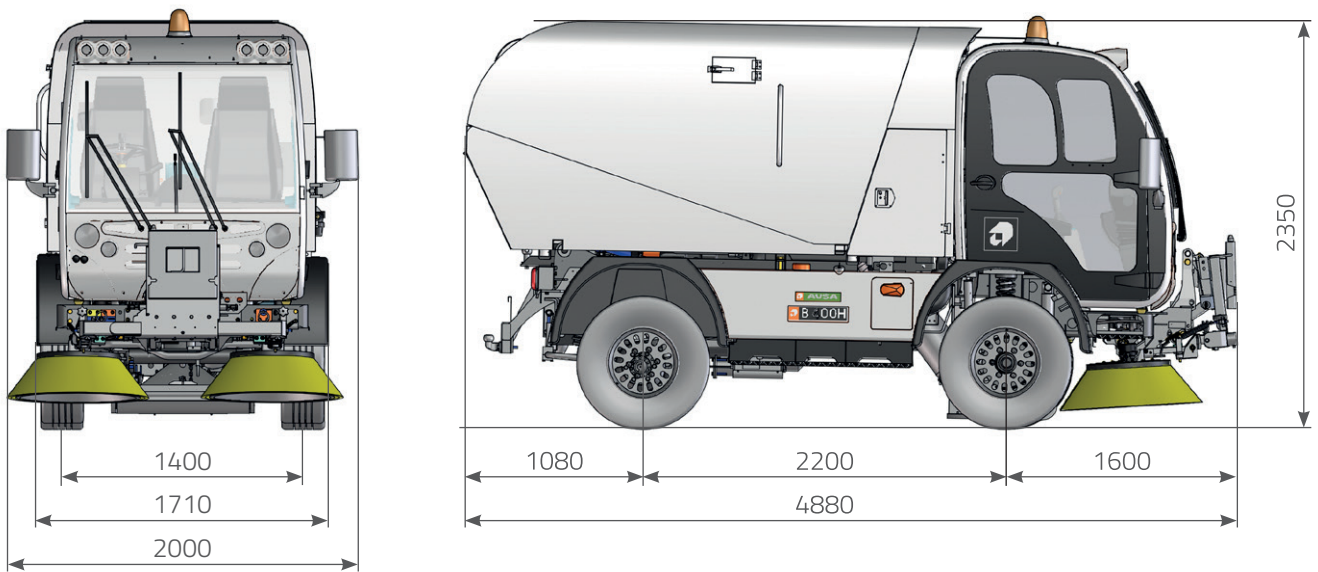


## TECHNICAL DATA

<b>GENERAL</b>		<b>B 400 H</b>
Maximum authorised weight	kg	6400
Unladen weight	kg	4560
Total height	mm	2170
Total width	mm	1700
Total length	mm	4470
<b>ENGINE</b>		
Make	-	VOLKSWAGEN
Model	-	2.0 TDI
Power	kW	75
Torque	N·m@rpm	285@1750
No. cylinders	-	4
Consumption	l/h	6,5
<b>DRIVING</b>		
Maximum speed	km/h	40/62*
Maximum operation speed	km/h	40/62*
Gradeability (at full load)	%	28
External turning radius	mm	4773
Suspension	-	Hydraulic shock absorber and springs
Rear suspension	-	Hydraulic shock absorber, leaf springs and torsion bar
Tyres	-	225/70 R15
<b>WASTE HOPPER</b>		
Capacity	l	4000
Material	-	Aluminium
Tipping height	mm	1600
Tipping width	mm	1400
Turbine capacity	m <sup>3</sup> /h	13.000
<b>SWEEPING SYSTEM</b>		
No. brushes	-	2-3
Port and arms material	-	Stainless steel
Effective maximum width of sweep	mm	2000/2700
Sprinklers	-	7
4-STAR PM2.5/10	-	-
<b>WATER TANK</b>		
Capacity	l	580
Material	-	Stainless steel
Water pump flow	l/min	12,5
Water pump pressure	bar	2,75

---

## DIMENSIONS



---

## LINK SYSTEM

The **Link concept** of our B400H sweeper enables intensive use throughout the year; not only does it sweep with maximum efficiency and productivity, but it can also be used as a **brush cutter or elevator basket or as a winter maintenance unit** with its 1.3 m<sup>3</sup> spreader and its snow brush or plough.

---

## OPTIONAL ATTACHMENTS

Snow plough with hydraulic regulation and lateral tilt (width 2,000 mm)

Snow brush sweeper, width 2,000 mm

Steel cargo bed (2,640 x 1,600 x 300 mm) with trilateral hydraulic tilting

Detachable hydraulic salt spreader

Movex P150TL detachable elevator basket

**excelway**<sup>®</sup>

[www.excelway.eu](http://www.excelway.eu)

Products are subject to modifications without prior notice. Images throughout the spec sheet may refer to non-standard machines or non-available configurations depending on models.

AUSA's logo and corporate identity are property of the Company, they cannot be used without authorization.