

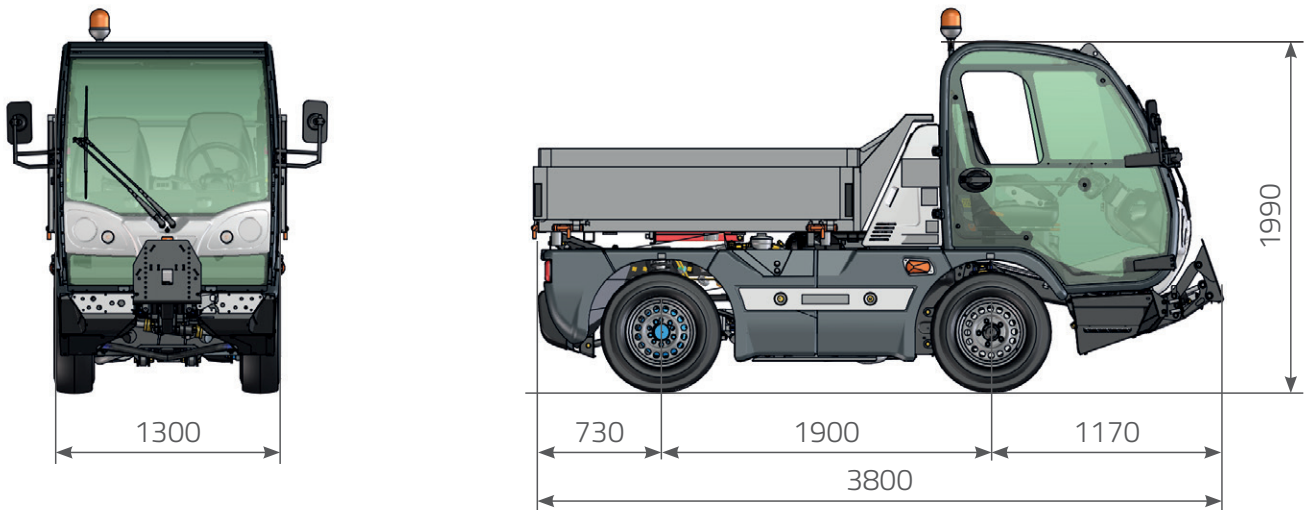


TECHNICAL DATA

GENERAL		M 200 H EURO 6 - 4x2x2	M 200 H EURO 6 - 4x2x4	M 200 H EURO 6 - 4x4x4
Maximum authorised weight	kg	5000	5000	5000
Unladen weight	kg	2375	2415	2415
Total height	mm	1990	1990	1990
Total width	mm	1300	1300	1300
Total length	mm	3800	3800	3800
ENGINE				
Make	-	VM MOTORI	VM MOTORI	VM MOTORI
Model	-	R754	R754	R754
Power	kW	68	68	68
Torque	N·m@rpm	380@2600	380@2600	380@2600
No. cylinders	-	4	4	4
Consumption	l/h	5,3	5,3	5,3
DRIVING				
Maximum speed	km/h	40	40	40
Maximum operation speed	km/h	25	25	25
Gradeability (at full load)	%	27	37	37
External turning radius	mm	3300	2700	2700
Suspension	-	Hydraulic shock absorber	Hydraulic shock absorber	Hydraulic shock absorber
Rear suspension	-	Hydraulic shock absorber	Hydraulic shock absorber	Hydraulic shock absorber
Tyres	-	225/70 R15	225/70 R15	225/70 R15
WASTE HOPPER				
Capacity	l	1200	1200	1200
Material	-	Stainless steel	Stainless steel	Stainless steel
Tipping height	mm	800	800	800
Tipping width	mm	1300	1300	1300
Turbine capacity	m³/h	-	-	-
WATER TANK				
Capacity	l	2000*	2000*	2000*
Material	-	Rotomolding HDPE	Rotomolding HDPE	Rotomolding HDPE
Water pump flow	l/min	80/21	80/21	80/21
Water pump pressure	bar	60/300	60/300	60/300
Maximum water temperature	°	-/75	-/75	-/75
SPRAY/SCRAPER BAR/HEAD				
No. nozzles	-	20/14	20/14	20/14
Material	-	Inox/Steel	Inox/Steel	Inox/Steel
Effective maximum width	mm	2500/1300	2500/1300	2500/1300

* Check homologations

DIMENSIONS



OPTIONAL ATTACHMENTS

- 1,500 mm snow plough with hydraulic regulation and lateral tilt
- Snow brush sweeper, width 1,500 mm
- Aluminium cargo bed (1,840 x 1,300 x 420 mm) with trilateral hydraulic tilting
- Detachable hydraulic salt spreader
- Flusher with reinforced plastic tank. Cold water
- Flusher with reinforced plastic tank. Hot water
- Scraper head with hot water
- Simple spray bar. Cold water
- Simple spray bar. Hot water
- 2,000l water tank for cold water flushing
- 2,000l water tank for hot water scraping
- Support kit for assembly/disassembly, maintenance and storage of water flushing tank
- Support kit for assembly/disassembly, maintenance and storage of cargo bed

excelway[®]



www.excelway.eu

Products are subject to modifications without prior notice. Images throughout the spec sheet may refer to non-standard machines or non-available configurations depending on models.

AUSA's logo and corporate identity are property of the Company, they cannot be used without authorization.