

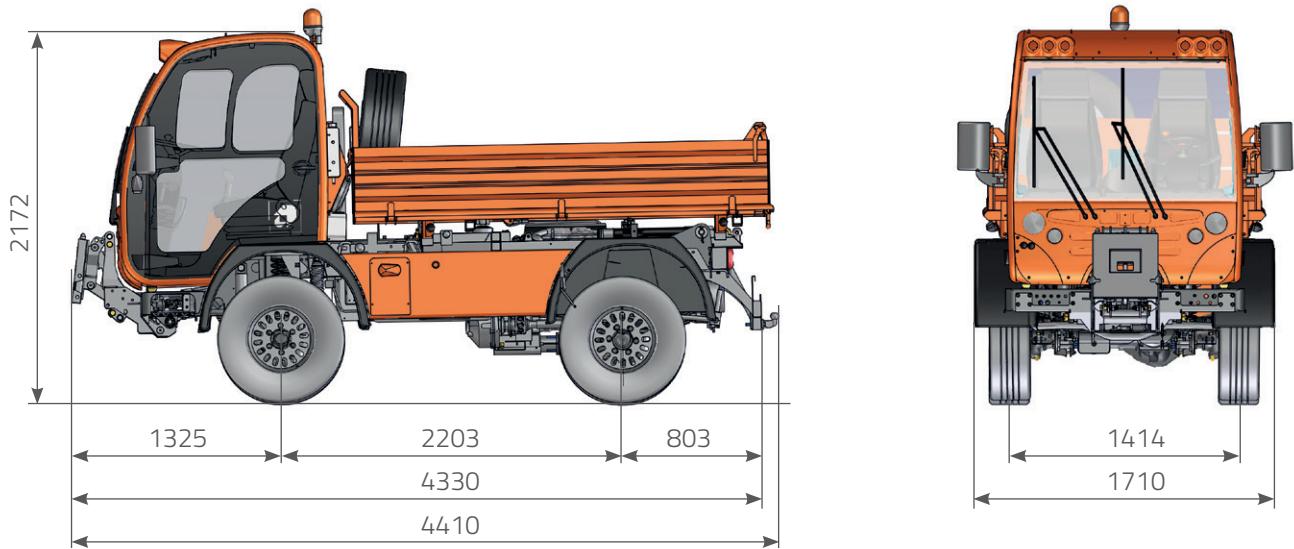


TECHNICAL DATA

GENERAL		M 350 H
Maximum authorised weight	kg	6400
Unladen weight	kg	3290 - 4080
Total height	mm	2240
Total width	mm	1750
Total length	mm	4427
ENGINE		
Make	-	VOLKSWAGEN
Model	-	2.0 TDI
Power	kW	75
Torque	N-m@rpm	285@1750
No. cylinders	-	4
Consumption	l/h	6,5
DRIVING		
Maximum speed	km/h	40/62*
Maximum operation speed	km/h	40/62*
Gradeability (at full load)	%	38
External turning radius	mm	4773
Suspension	-	Hydraulic shock absorber and springs
Rear suspension	-	Hydraulic shock absorber and leaf springs
Tyres	-	225/70 R17.5
WASTE HOPPER		
Capacity	l	1250
Material	-	Aluminium
Tipping height	mm	1540
Tipping width	mm	1750

* Check homologations

DIMENSIONS



OPTIONAL ATTACHMENTS

Pala quita-nieves 2.000 mm con regulación hidráulica e inclinación lateral

Cepillo barredora quita-nieves anchura 2.000 mm

Caja de carga de acero (2.640 x 1.600 x 300 mm) con basculación hidráulica trilateral

Esparcidor de sal hidráulico desmontable

Equipo grúa hidráulica articulada con mandos manuales

Equipo grúa hidráulica articulada con cesta elevapersonas

Plataforma elevapersonas desmontable MOVEX P150TL

excelway[®]

www.excelway.eu

Products are subject to modifications without prior notice. Images throughout the spec sheet may refer to non-standard machines or non-available configurations depending on models.

AUSA's logo and corporate identity are property of the Company, they cannot be used without authorization.